

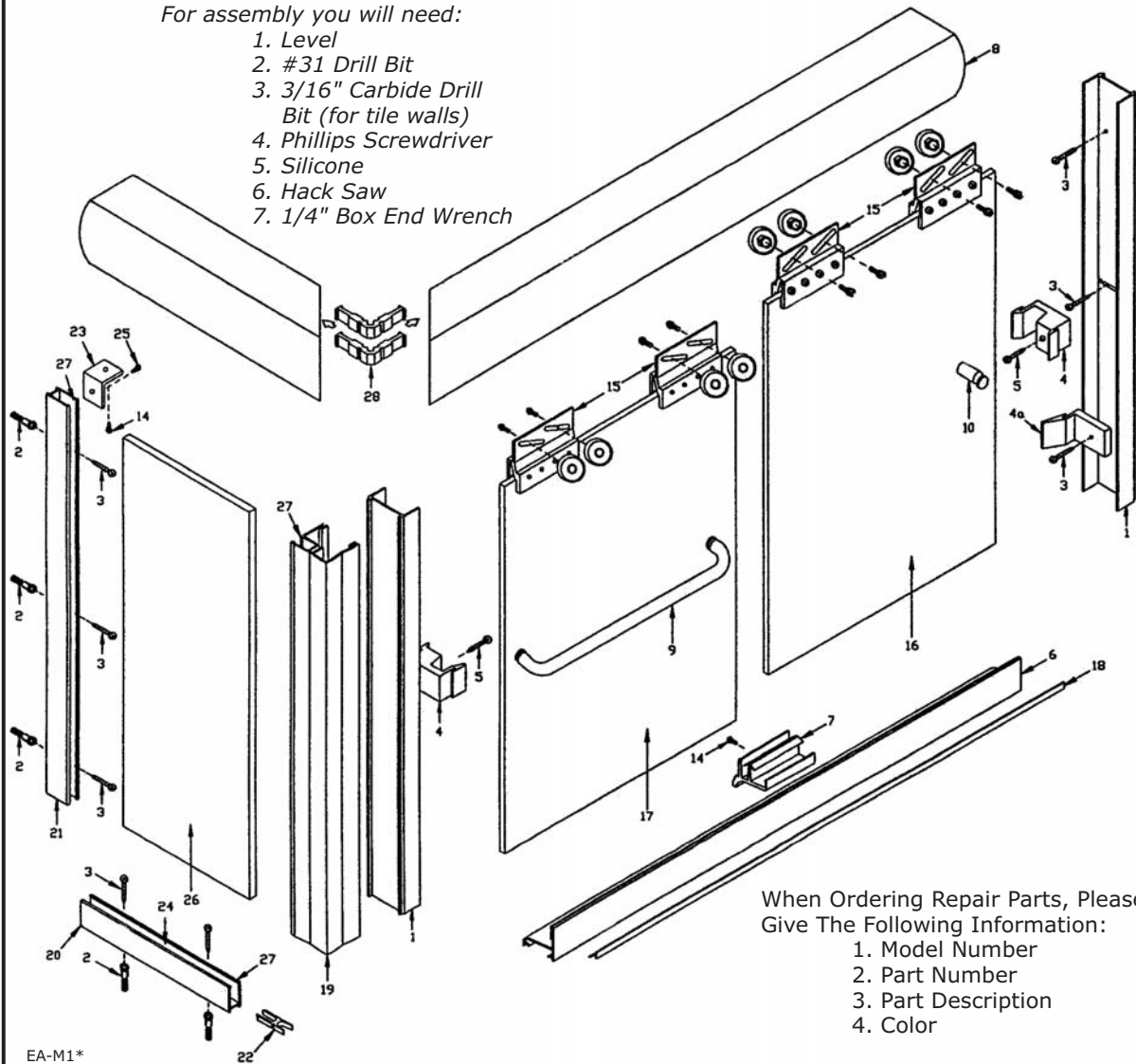
Assembly and Installation Instructions



TUB / SHOWER ENCLOSURE MTE / MSE 1600-3

For assembly you will need:

1. Level
2. #31 Drill Bit
3. 3/16" Carbide Drill Bit (for tile walls)
4. Phillips Screwdriver
5. Silicone
6. Hack Saw
7. 1/4" Box End Wrench



When Ordering Repair Parts, Please Give The Following Information:

1. Model Number
2. Part Number
3. Part Description
4. Color

Description	Qty.	Part #	Picture
1. Wall Jamba	2	MTE1203	
2. Wall Anchors	9	ANCHOR	
3. #8 x 1 1/2 SMS Screws	9	MBG812-SMA	
4. Door Bumpers	2	MBG-924	
4a. Bottom Bumper	1	MBG-926	
5. 6-32 x 1/2" MS Screws #6 x 1/2 TC	2	MBG612-TC	
6. Bottom Sill (with MV-918)	1	MTE1522	
7. Center Guide - 3"	1	MBG-530-3	
8. Headers - Mitered	2	MTE1601	
9. Tubular Towel Bar	1	MTE1605	
10. Solid Tubular Inside Pull	1	MTE1607	
11. Towel Bar Pull Fasteners	5	1/4" pull fastener	
12. Nylon Towel Bar Washers	6	3/4" nylon washer	
13. Nylon Towel Bar Sleeves	3	1/4" nylon sleeve	
14. #6 x 3/8" SMS	10	MBG638-SM	
15. Double Roller Bracket Assembly - 3"	4	MTE1208-F	
16. Inside 1/4" Glass Panel w/ one 1/2" hole	1	Inside Slider	
17. Outside 1/4" Glass Panel w/ two 1/2" holes	1	Outside Slider	
18. Door Guide Vinyl (with MTE1522)	1	MV-918	
19. 90-Degree Post	1	MTE1214	
20. Curb Channel	1	MD11006	
21. Wall Channels	1	MD11006	
22. Post to Curb Key	1	MBG180-316	
23. Clip	1	MBG90-1516	
24. Glass Support Block	1	MV-902	
25. #6 x 1/4" SMS B Screws	1	MBG614-SM	
26. 90-Degree Glass Panel	1	90PANEL	
27. Vertical Seal Vinyl	6	MV-909	
28. 90-Degree Header Clips	2	MBG90-3132	
29. Header Retainer Clips	2	MV-952	

EA-M1*

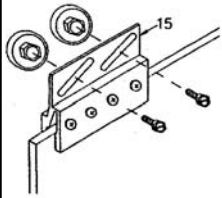
For the next thousand years.

Assembly and Installation Instructions



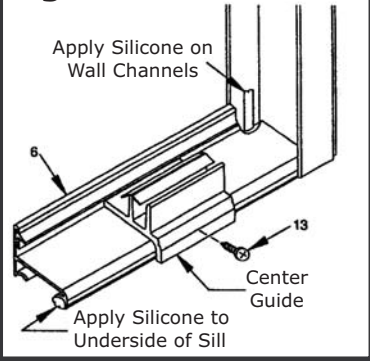
Note: Apply a bead of silicone (GE1200) into the open channel of roller bracket before attaching glass. To assemble roller bracket (15) to glass, tighten screws until surface of roller bracket is depressed 1/32" (28 inchpounds of torque). Allow to cure for 24 hours before hanging sliders.

Figure 1



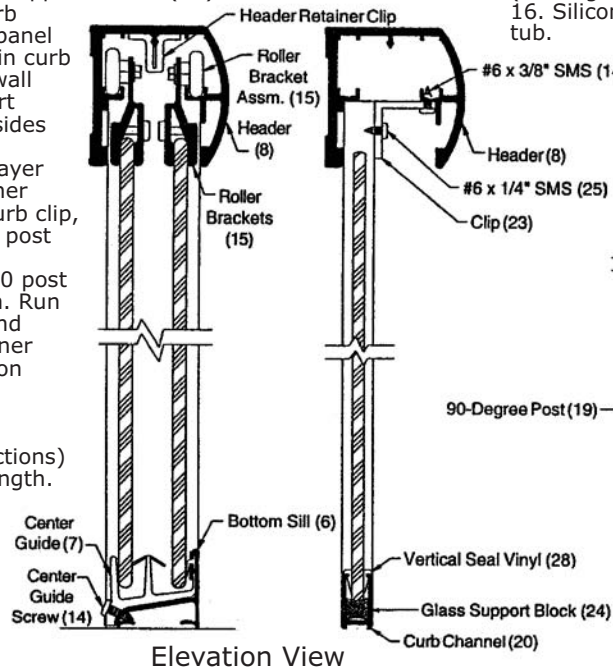
- Using a straight edge, draw a line down the center on the top of the tub rim or pan curb. (The lines should cross in the center of the front corner).
- Set jamb (1) in place on wall, centering bottom of jamb on rim of tub. Hold plumb and mark wall for screws.
- Remove jamb (1) and drill 3/16" hole and insert plastic screw anchors (2).
- Silicone where the wall meets the rim of the tub to seal bottom corner of jamb. Set jamb (2) in place and secure with #8 x 1 1/2" screws (3). Secure bottom bumper (4a) on showerhead side with bottom jamb screw.

Figure 2

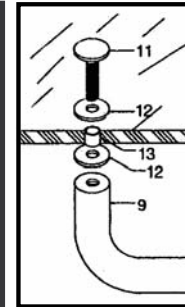


vertical seal vinyl (27) into wall channel on both sides of the panel.

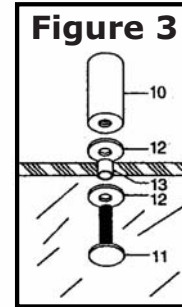
- Insert clip (22) into curb channel and apply a layer of silicone to curb where 90 post will set. Set corner post (19) in place over edge of panel glass and curb clip, hold plumb and insert vertical seal vinyl (27) into post and curb channel on both sides of panel glass.
- Measure from inside of wall jamb to inside of 90 post and use this measurement to cut sill (6) to length. Run a bead of silicone full length to underside of sill and apply silicone in corners where wall jamb and corner post meet curb and press guide firmly into place on curb (See Figure 2).
- Assemble header (8) using 90 clips (28) and #6 x 3/8" SMS (14). Measure from both walls to outside corner of corner post (plumb in both directions) and add 3/16" to this measurement for header length. Cut header to length and set in place over jamb (1), corner post (19) and wall channel (21). Secure header to jamb and corner post from inside of shower and to clip (23) attached to wall channel with #6 x 3/8" SMS.
- To set slider glass in place, hold inside slider panel (16) inside of tub or shower pan, insert rollers up into the header and lower into



Elevation View



Outside Door Panel

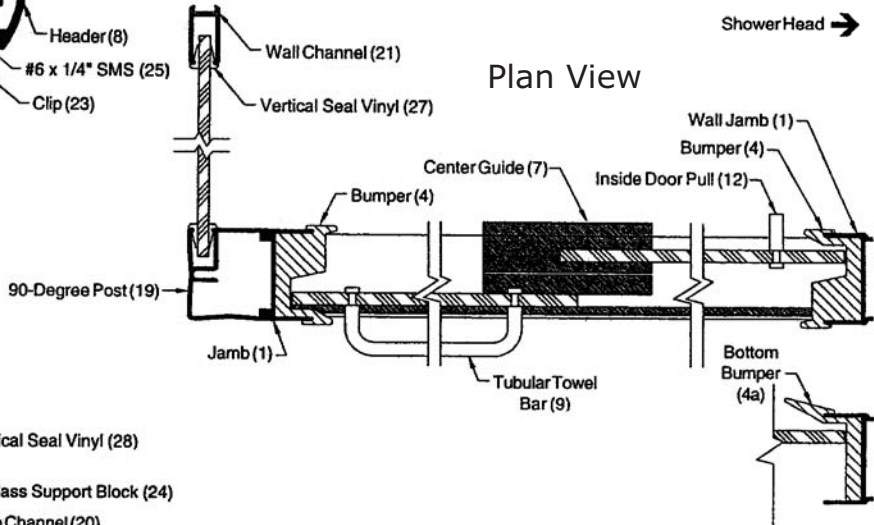


Inside Door Panel

(14) provided.

- Close panels and adjust to align the vertical edge of panels with jamb and post. Using a box-end wrench, loosen the screws on the rollers, but don't remove completely. When screws are loose, adjust panel by sliding the screw in the slot. **Note:** When screws are loose be sure to support panel so it does not fall and break. Adjust inside slider as low as possible to reduce the gap between bottom of slider and sill taking care that the glass does not drag on the track or center guide. Adjust for bowed glass by using the slotted hole in the jamb.
- Install bumpers (4) to jamb and corner post with a 6-32 1/2" screw (5). **Note:** Glass panels close into the recessed portion of bumpers (4). The recess is toward the inside of the tub on the showerhead jamb and toward the outside on the corner post.
- To install towel bar (9), place nylon towel bar insert sleeves (13) into holes in the glass (17). Next, hold the tubular towel bar (9) against the hole in the glass with the nylon towel bar/pull washer (12) between the glass and the towel bar. Place a nylon towel bar/pull washer on the towel bar/pull screw (11) and secure towel bar in place on both ends. Install the pull the same way the towel bar was installed. Use hole in fastener to tighten (See Figure 3).
- Silicone inside of shower where jamb meets walls and sill meets rim of tub.

Figure 4



Plan View

For the next thousand years.