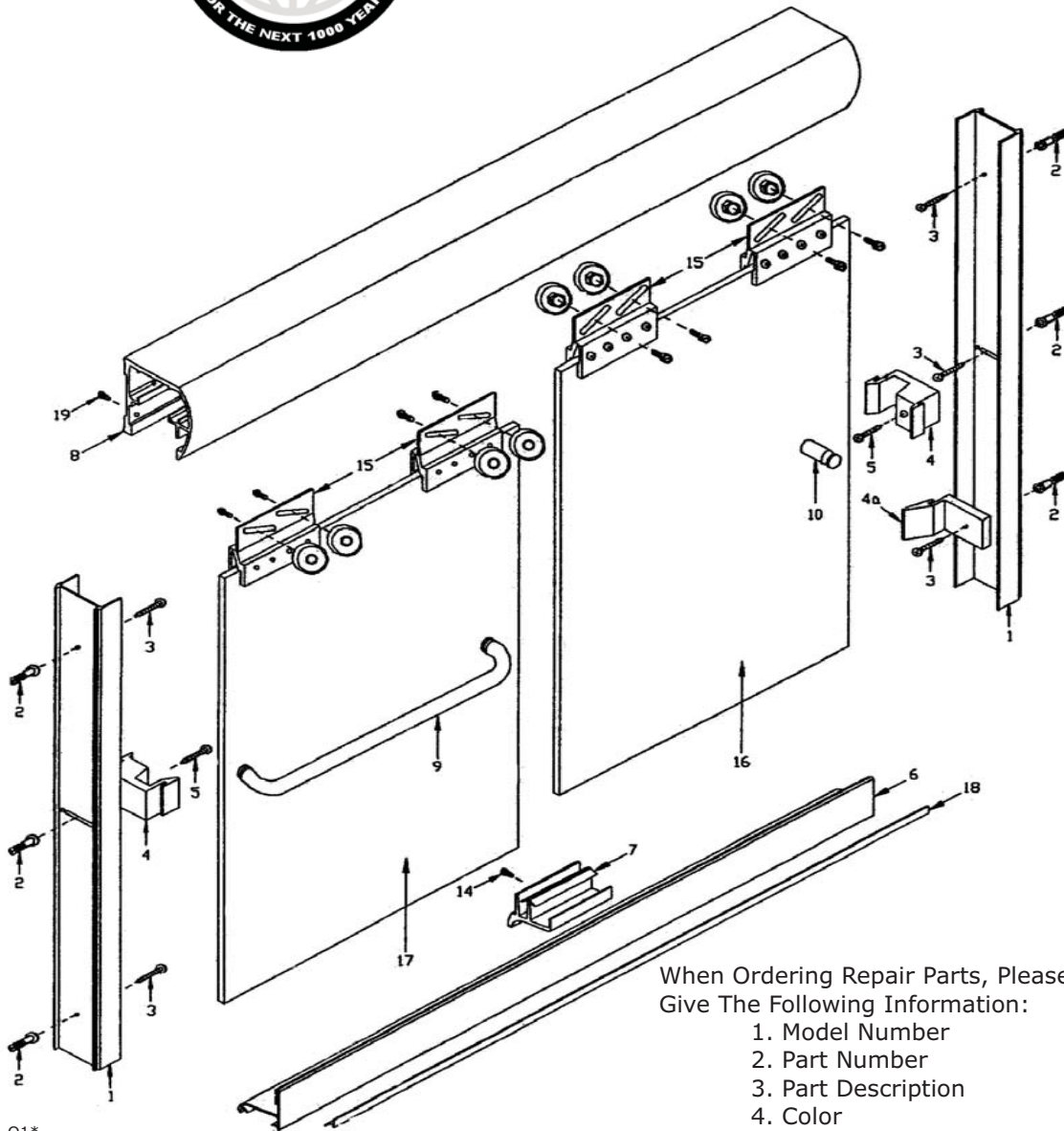




TUB / SHOWER ENCLOSURE
MTE / MSE 1600

For assembly you will need:

1. Level
2. #31 Drill Bit
3. 3/16" Carbide Drill Bit (for tile walls)
4. Phillips Screwdriver
5. Silicone
6. Hack Saw
7. 1/4" Box End Wrench



When Ordering Repair Parts, Please Give The Following Information:

1. Model Number
2. Part Number
3. Part Description
4. Color

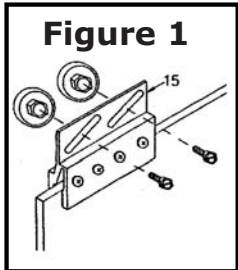
Description	Qty.	Part #	Picture
1. Wall Jamb	2	MTE1203	
2. Wall Anchors	6	ANCHOR	
3. #8 x 1 1/2 SMS Screws	6	MBG812-SMA	
4. Door Bumpers	2	MBG-924	
4a. Bottom Bumper	1	MBG-926	
5. 6-32 x 1/2" MS Screws #6 x 1/2 TC	2	MBG612-TC	
6. Bottom Sill (with MV-918)	1	MTE1522	
7. Center Guide - 3"	1	MBG-530-3	
8. Header	1	MTE1601	
9. Tubular Towel Bar	1	MTE1605	
10. Solid Tubular Inside Pull	1	MTE1607	
11. Towel Bar Pull Fasteners	3	1/4" pull fastener	
12. Nylon Towel Bar Washers	6	3/4" nylon washer	
13. Nylon Towel Bar Sleeves	3	1/4" nylon sleeve	
14. #6 x 3/8" SMS	1	MBG638-SM	
15. Double Roller Bracket Assembly - 3"	4	MTE1208-F	
16. Inside 1/4" Glass Panel w/ one 1/2" hole	1	Inside Slider	
17. Outside 1/4" Glass Panel w/ two 1/2" holes	1	Outside Slider	
18. Door Guide Vinyl (with MTE1522)	1	MV-918	
19. 6-32 x 3/8" MS Screws	2	MBG638-TC	
20. Header Retainer Clip	2	MV-952	

Assembly and Installation Instructions



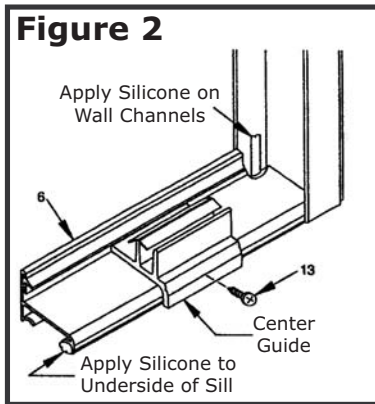
Note: Apply a bead of silicone (GE1200) into the open channel of roller bracket before attaching to glass. To assemble roller bracket (15) to glass, tighten screws until surface of roller bracket is depressed 1/32" (28 inchpounds of torque). Allow to cure for 24 hours before hanging sliders.

Figure 1



1. Set wall jamba (1) in place on walls, centering bottom of jamb on rim of tub. Hold plumb and mark walls for screw holes.
2. Remove and drill 3/16" diameter holes in walls (use a carbide tipped drill bit for tile walls). Insert plastic wall anchors (2) into holes. Silicone where the wall meets the rim of the tub to seal the bottom of jamb. Set jamba in place and secure to the wall with #8 x 1 1/2" screws (3). Secure bottom bumper (4a) on showerhead / Inside side with the bottom wall jamb screw (3).

Figure 2



3. Cut sill (6) to fit opening between jamba. Run a bead of silicone full length to the underside of sill (See Figure 2) and apply silicone to inside of jamb where jamb meets tub. On inside of jamb, run a 1/4" bead of silicone 1 1/4" up the outside leg of each wall jamb (See Figure 2). Set sill in place and press firmly to rim of tub. Wipe off any excess silicone before curing. Use tape to hold in place until silicone has set.

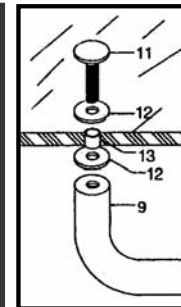
4. Cut header (8) 1/32" to 1/16" less than opening width and set in place.

5. To set slider glass in place, hold inside slider panel inside of tub or shower pan, insert roller up into header and lower into place. The inside glass has only one hole for the inside pull handle

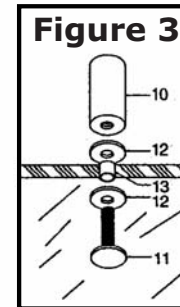
slider (10) and will close against the wall jamb on the showerhead side. Next, insert lower end of outside slider in front of inside slider by pushing lower ends far enough in to allow clearance on inside edge of tub or pan. Avoid roller bracket to roller bracket contact while lifting panel into place. The outside slider will close against the jamb opposite the showerhead.

6. Place center guide (7) to center position on sill (See Figure 2). Make sure the center guide is hooked into the slot position on the sill, then drill a hole using a #31 drill bit and fasten center guide to sill with the #6 x 3/8" screw (14) provided.

7. Close panels and adjust to align the vertical edge of panels with jamba. Using a 1/4" box-end wrench, loosen the screws on the rollers, but don't remove completely. When screws are loose, adjust panel by sliding the screw in the slot. **Note:** When screws are loose be sure to support panel so it does not fall and break. Adjust inside slider as low as possible to reduce the gap between bottom of slide and sill taking care that the glass does not drag on the track or center guide.



Outside Door Panel



Inside Door Panel

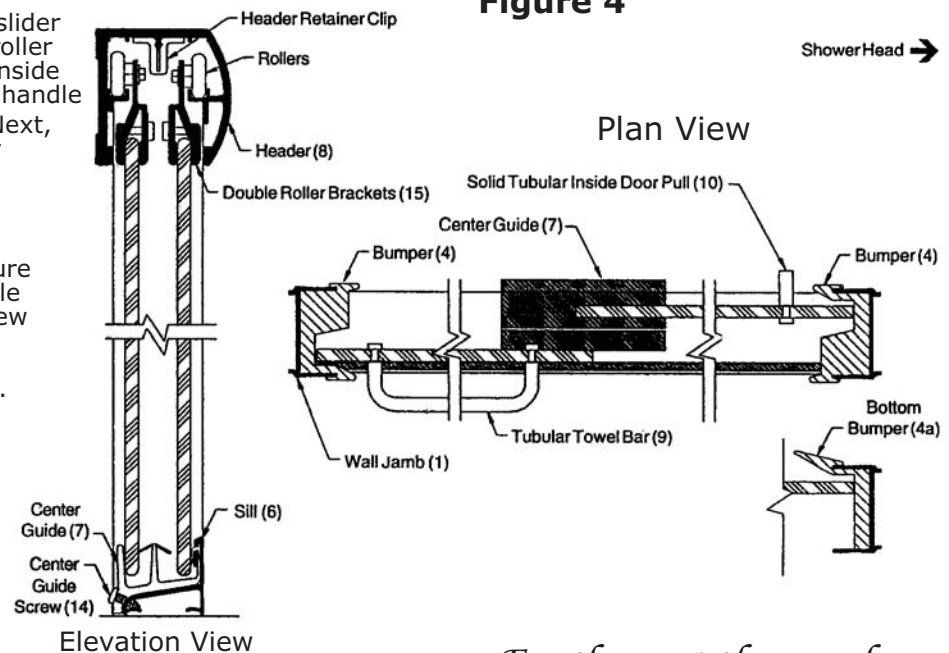
8. To install towel bar (9), place nylon towel bar insert sleeves (13) into holes in the glass (17). Next, hold the tubular towel bar (9) against the hole in the glass with the nylon towel bar/pull washer (12) between the glass and towel bar. Place a nylon towel bar/pull screw (11) and secure towel bar in place on both ends. Install the pull the same way the towel bar was installed. Use hole in fastener to tighten (See Figure 3).

9. Center hole in jamb is slotted to allow adjusting of jamb to compensate for bowed glass. After installing hardware, roll both panels into jamb on one side. If edge of glass hits on edge of jamb, loosen center screw and adjust jamb accordingly. Repeat on opposite side.

10. Secure bumpers (4) in place with a 6-32 x 1/2" MS screw (5). **Note:** Glass panels close into the recessed portion of the bumpers. The recess is toward the inside of the tub on the showerhead jamb, and toward the outside on the other jamb. From inside of unit, drill #31 holes through header and into wall jamba, 11/16" from bottom of header. Secure header to wall jamba with two 6-32 x 3/8" MS screws (19).

11. Silicone inside of shower where jamb meets walls and sill meets rim of tub.

Figure 4



For the next thousand years.