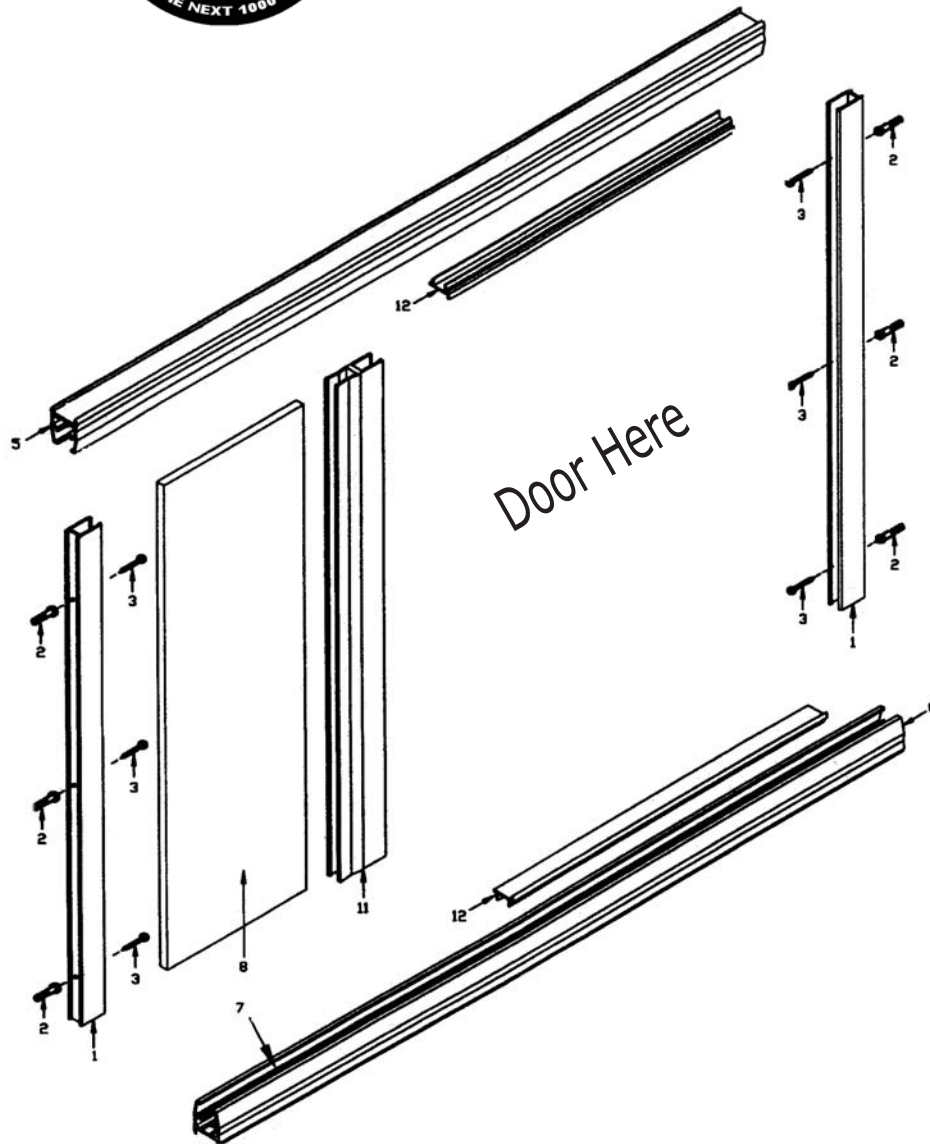




SHOWER ENCLOSURE
MSS11180

- For assembly you will need:
1. Silicon
 2. Phillips Screwdriver
 3. 3/16" Carbide Drill Bit (for tile walls)
 4. Hack Saw
 5. Glazing Block
 6. #31 Drill Bit
 7. Level



When Ordering Repair Parts,
Please Give The Following
Information:

1. Model Number
2. Part Number
3. Part Description
4. Color

*Note: Number 1, 2 & 3 come with the door stall wrap.

Description	Qty.	Part #	Picture
1. Wall Channels *	2	MD11006	
2. Wall Anchors *	6	ANCHOR	
3. #8 x 1 1/2" SMS Screws *	6	MBG8112-SM	
4. #6 x 3/8" SMS Screws	4	MBG638-SM	
5. Header	1	MSS1101	
6. Curb	1	MSS1101	
7. Glass Support Block	1	MV-902	
8. In-Line Glass Panel	1	I/LPANEL	
9. Vertical Seal Vinyl	4	MV-909	
10. Horizontal Seal Vinyl	2	MV-906	
11. In-Line Post	1	MSS1103	
12. Header and Curb Fillers	2	MSS1102	

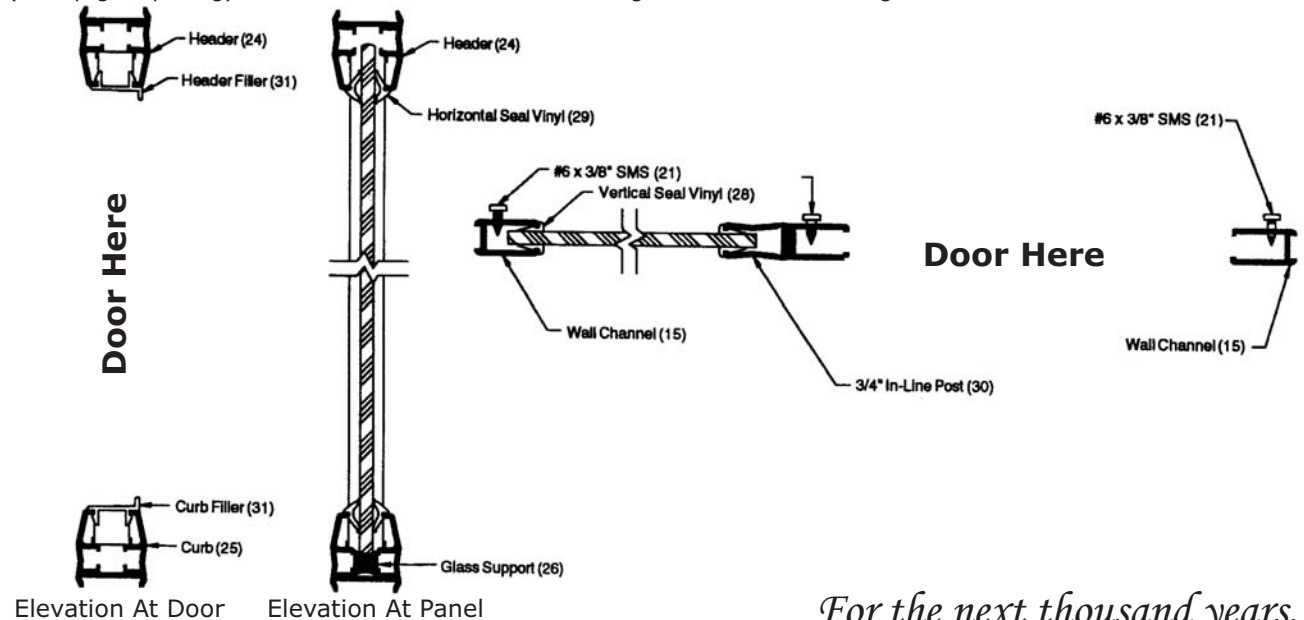
Assembly and Installation Instructions



Note: Wall channels (1), wall anchors (2) and screws (3) that are used in stall shower installation, are shipped with the shower door. Read both door and stall instructions before starting installation.

- Cut curb (6) to desired length. Place parallel with front of threshold and mark location with a pencil.
- Place wall channel (1) into curb on stationary panel side and mark through holes provided in wall channel, then remove wall channel.
- Place other wall channel (1) into curb on door side and mark through bottom hole only, then remove wall channel.
- Drill marked holes using a 3/16" bit, then plug with plastic wall anchors (2).
- Run a 1/4" bead of silicone on underside of curb and fill both ends of curb with silicone. Also silicone where ends of curb will sit on threshold.
- Set curb back in place with weep holes to inside of unit. Place wall channels (1) back into curb and secure using #8 x 1 1/2" SMS (3).
- Place glass support block in curb on fixed panel side. Place fixed panel in curb, moving it all the way into the wall channel. Tack in place at the top of the panel with vertical seal vinyl (9).
- Cut header (5) to size and place in position.
- Find minimum measurement for curb filler on chart, and place the inline post that distance away from door side wall channel. Check the plumb of the wall on the door side and note how much the wall is out. If the wall leans to the center, then add this length to the curb filler, or if it is leaning away from the center, add it to the header filler. Never exceed the minimum or maximum measurements for the curb filler for the door size, as noted in chart. Move the inline post so the measurements for the header and curb fillers are now corrected for wall conditions. This should leave the inline post in a plumb condition. Cut filler to size and snap in place with 1/8" lip to outside.
- Now check that the daylight opening between the inline post and the fixed panel wall channel is no larger than panel size - (1/2") and no smaller than panel size - (1 1/2"). If daylight opening does not fall within these tolerances, then adjust inline post to correct. Remember that the min and max of the curb fillers (or daylight opening) must not be exceeded.

Header & Curb Fillers		
Min. Filler = Door Size - 1 7/8"		
Max Filler = Door Size - 7/8"		
Model Number	Min.	Max.
MD-1000-20	18 1/8"	19 1/8"
MD-1000-21	19 1/8"	20 1/8"
MD-1000-22	20 1/8"	21 1/8"
MD-1000-23	21 1/8"	22 1/8"
MD-1000-24	22 1/8"	23 1/8"
MD-1000-25	23 1/8"	24 1/8"
MD-1000-26	24 1/8"	25 1/8"
MD-1000-27	25 1/8"	26 1/8"
MD-1000-28	26 1/8"	27 1/8"
MD-1000-29	27 1/8"	28 1/8"
MD-1000-30	28 1/8"	29 1/8"
MD-1000-31	29 1/8"	30 1/8"
MD-1000-32	30 1/8"	31 1/8"
MD-1000-33	31 1/8"	32 1/8"
MD-1000-34	32 1/8"	33 1/8"
MD-1000-35	33 1/8"	34 1/8"
MD-1000-36	34 1/8"	35 1/8"



(Refer to Shower Door Installation Instructions.)

- Snip excess from latch jamb, and crimp in place at the top and bottom. Holding inline post, slip latch jamb into place.
- Install 3" vinyl channel, centered vertically on edge of glass and tap handle in place.
- Set door (with hinge jamb attached) over door wall channel. The hinge clip on the door should be sitting on the curb filler. Pull door to latch jamb, aligning them by moving hinge side of door back and forth at top where you are holding it. This movement moves wall channel and header too. After aligning glass and latch jamb, hold wall channel and mark along inside edge of wall channel with a pencil.
- Remove door and place wall channel back in position on line, and mark holes on wall. Drill holes, insert anchors, then secure wall channel with #8 x 1 1/2" SMS.
- Reinsert door with hinge jamb over wall channel. Plumb and adjust as you had previously decided to do using length of header and curb filler for adjustment. Door in final position should have 3/16" margin from edge of glass to latch jamb. After locating this position, secure hinge jamb to wall channel by drilling #31 hole through holes provided and secure with #6 x 3/8" SMS.
- Secure in-line post (1) to curb (6) using the same system.
- Parallel header with top of door by raising header on wall channel at either side and secure in-line post and wall channels to header on inside using #6 x 3/8" SMS (4).
- Make final adjustments with latch jamb and secure to in-line post with #6 3/8" SMS (4).
- Finish installing the vertical seal vinyl (9) in wall channel and then in the in-line post. Also install horizontal seal vinyl (10) at bottom and top of stationary panel, both inside and out.
- Adjust splash vinyl on bottom of door so that approximately 1/8" daylight space remains between bottom of splash vinyl and curb filler (12) with the door in the closed position.
- Seal along inside and outside edge of metal and tile with silicone.