

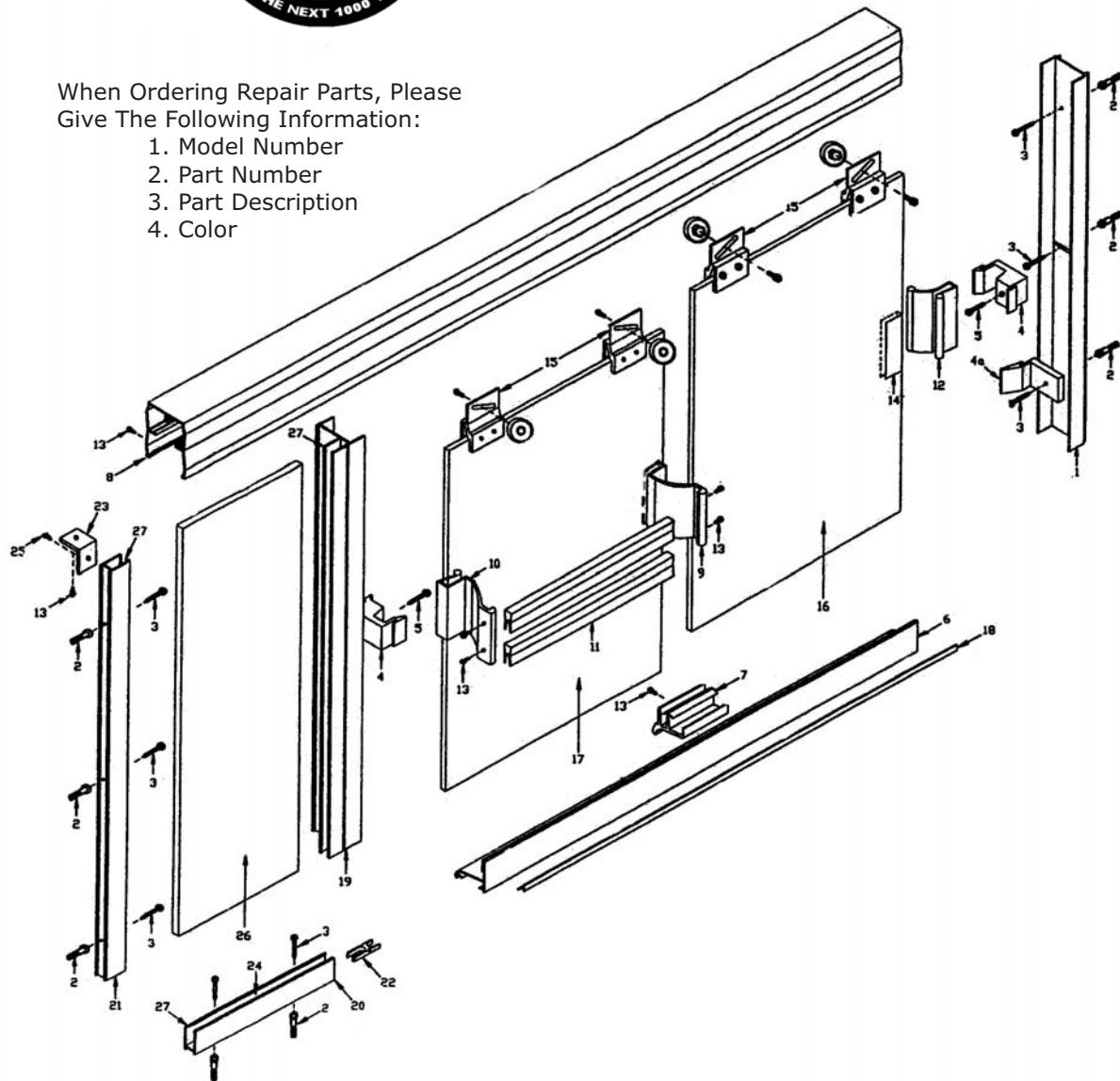


TUB / SHOWER ENCLOSURE
MTE / MSE 1400-1

- For assembly you will need:
1. Phillips Screwdriver
 2. Level
 3. #31 Drill Bit
 4. 3/16" Carbide Drill Bit (for tile walls)
 5. Silicone
 6. Hack Saw
 7. 1/4" Box End Wrench

When Ordering Repair Parts, Please Give The Following Information:

1. Model Number
2. Part Number
3. Part Description
4. Color



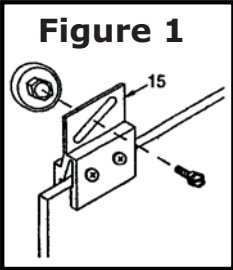
Description	Qty.	Part #	Picture
1. Wall Jamb	1	MTE1203	
2. Wall Anchors	9	ANCHOR	
3. #8 x 1 1/2 SMS Screws	9	MBG812-SMA	
4. Door Bumper	2	MBG-924	
4a. Bottom Bumper	1	MBG-926	
5. 6-32 x 1/2" MS Screws #6 x 1/2 TC	2	MBG612-TC	
6. Bottom Sill (with V-918)	1	MTE1522	
7. Center Guide - 3"	1	MBG-530-3	
8. Header	1	MTE1201	
9. Towel Bar Bracket	1	MTE1206	
10. Towel Bar Bracket With Pull	1	MTE1206P	
11. Towel Bars	2	MTE1205	
12. Inside Door Pull	1	MTE1207	
13. #6 x 3/8 SMS Screws	10	MBG638-SM	
14. Handle Vinyl	3	MV-916	
15. Roller Bracket Assembly	4	MTE1208-F	
16. Inside Glass Panel	1	Inside Slider	
17. Outside Glass Panel	1	Outside Slider	
18. Door Guide Vinyl (with MTE1522)	1	MV918	
19. 180-Degree Post	1	MTE1214	
20. Curb Channel	1	MD11006	
21. Wall Channel	1	MD11006	
22. Post To Curb Key	2	MBG180-316	
23. Post To Header Clip	1	MBG90-1516	
24. Glass Support Block	1	MV902	
25. #6 x 1/4" SMS B Screws	1	MBG614-SM	
26. In-Line Glass Panel	1	I/LPANEL	
27. Vertical Seal Vinyl	6	MV909	
28. Header Retainer Clips	2	MV-952	

Assembly and Installation Instructions



Note: Apply a bead of silicone (GE1200) into the open channel of roller bracket before attaching to glass. To assemble roller bracket (15) to glass, tighten screws until surface of roller bracket is depressed 1/32" (28 inchpounds of torque). Allow to cure for 24 hours before hanging sliders.

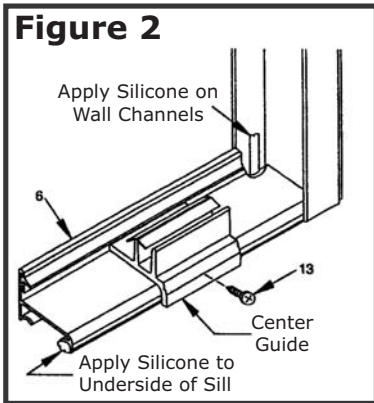
Figure 1



1. Set wall jamb (1) in place on wall, centering bottom of jamb on rim of tub. Hold plumb and mark walls for screw holes.
 2. Remove and drill 3/16" diameter holes in walls (use carbide tipped drill bit for tile walls). Insert plastic wall anchor (2) into holes. Silicone where the wall meets the rim of the tub to seal the bottom of jamb. Set jamb in place and secure to wall with #8 x 1 1/2" screws (3). Secure Bottom Bumper (4a) on showerhead / Inside side with bottom wall jamb screw (3).

3. Cut bottom sill (6) 7/16" smaller than slider opening. Run a bead of silicone full length to the underside of sill (6) and apply silicone to inside of jamb where jamb meets tub. On inside of jamb run 1/4" bead of silicone 1 1/4" up the opening leg of wall jamb (See Figure 2). Set sill in place and press firmly to rim of tub. Wipe off any excess silicone before curing.

Figure 2



4. Hold 180-degree post (19) in place over end of guide and measure from post to wall to arrive at curb channel length. Cut curb channel (20) to length and set in place, weep hole(s) to inside. Apply a bead of silicone to underside of curb channel and insert post to curb key (22) into end of curb channel.

5. Set wall channel (21) on curb channel, hold plumb and mark the wall for the screw holes. Remove wall channel, drill holes into the wall and insert screw anchors. Fill curb channel with silicone where curb channel meets wall. Set wall channel in place and secure with #8 x 1 1/2" screws (3). Secure clip (23) to top inside leg of wall channel with #6 x 1/4" screw (25).

6. Place glass support block (24) in center of the curb channel. Set panel (26) into place in curb

channel and into wall channel. Using the vertical seal vinyl (27) tack panel in place.

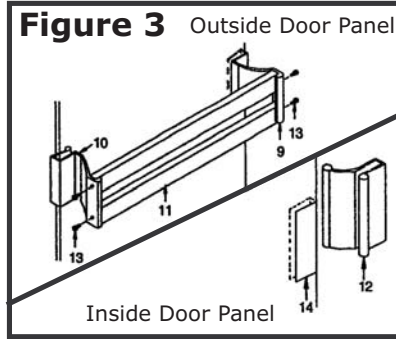
7. Silicone curb between guide and curb channel to provide a seal for the bottom post. Fill channel of the post with silicone, opposite the bumper location. Set post in place on curb and over edge of panel. Be sure post to curb key inserts into the channel of the post. Tack post in place at top only with vertical seal vinyl.

8. Cut header (8) to length and set in place over jamb, post and wall channel. Hold post plumb and secure to inside leg of header with a #6 x 3/8" screw (13). Secure header at walls to inside leg of jamb and clip on the wall channel with #6 3/8" screws.

9. Insert vertical seal vinyl (27) into wall channel, post and curb channel on both sides of panel.

10. To set slider glass in place, hold inside slider panel (16) inside of tub or shower pan, insert rollers up into header and lower into place. Next, insert lower end of outside slider (17) in front of inside slider by pushing lower ends far enough in, to allow clearance on inside edge of tub or pan. Avoid roller bracket to roller bracket contact while lifting panel into place. The outside slider will close against the jamb opposite the showerhead.

Figure 3 Outside Door Panel



11. Place center guide (7) to center position on sill. Make sure the center guide is hooked into the slot position on the sill, then drill a hole using a #31 drill bit and fasten center guide to sill with the #6 x 3/8" screw (13) provided.

12. Close panels and adjust to align the vertical edge of panels with jamb and post. Using a 1/4" box-end wrench, loosen the screws on the rollers, but don't remove completely. When screws are loose, adjust panel by sliding the screw in the slot. Note: when screws are loose be sure to

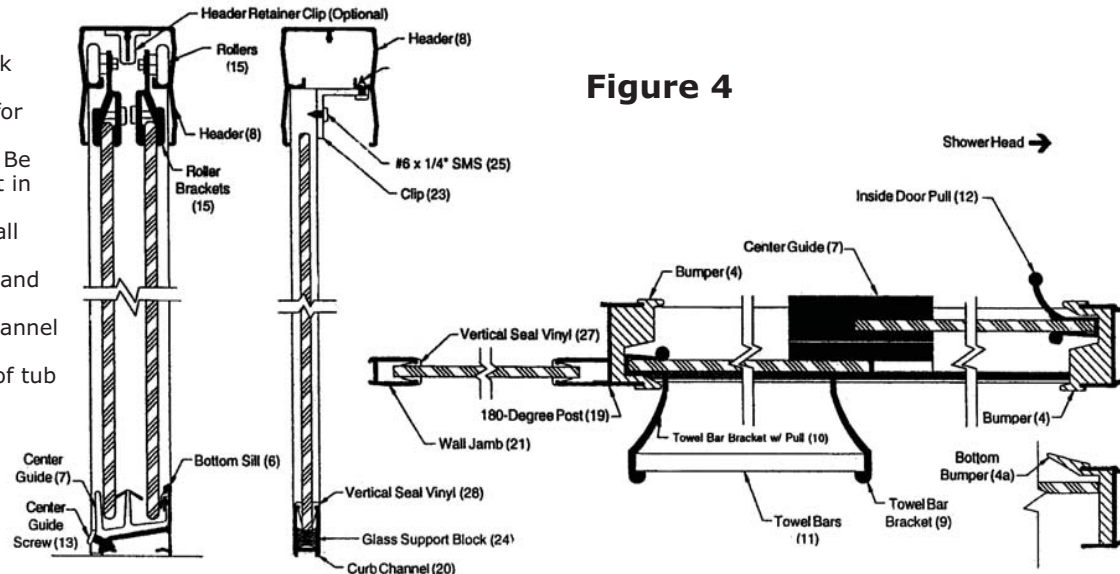
support panel so it does not fall and break. Adjust inside slider as low as possible to reduce the gap between bottom of slider and sill taking care that the glass does not drag on the track or center guide. Adjust for bowed glass by using the slotted hole in the jamb. Secure bumpers to the jambs using 3-32 x 1/2" screw (5).

13. Set handle vinyl channel (14) in place over edges of outside glass panel (17) with bottom of vinyl in line with bottom of bumper. Tap towel bar brackets (9 & 10) in place. Bracket with pull should be to jamb side of slider opposite showerhead. Assemble towel bars (11) to brackets using #6 x 3/8" SMS (13). (See Figure 3)

14. Set handle in vinyl in place over edge of inside glass panel (16) with bottom of vinyl in line with bottom of bumper on edge facing the wall jamb. Tap inside door pull (12) in place. **Note:** Large Portion of Pull to Inside of Slider.

15. Silicone inside of shower where jambs meet walls and sill meets rim of tub.

Figure 4



For the next thousand years.